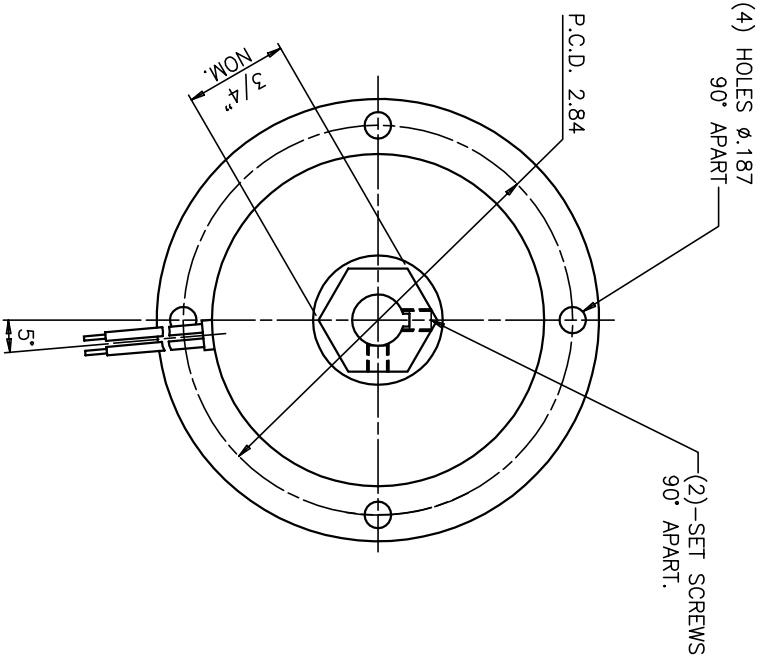


BORE AND KEYWAY 2X



STATIC TORQUE: 15 LB-IN.
 RATED VOLTAGE: DC 24V
 RATED POWER: 11 WATTS

REV.	DESCRIPTION	DATE	FINISH	DRAWN	CHECKED	SCALE	UNITS	TITLE	MATERIAL
Δ	SABR-015>SABR-015-00	07/10/03	NEW TORQUE, INC. 800-986-8325			1=1	INCH	SPRING-SET BRAKE SABR-015-00	DWG NO. 1530